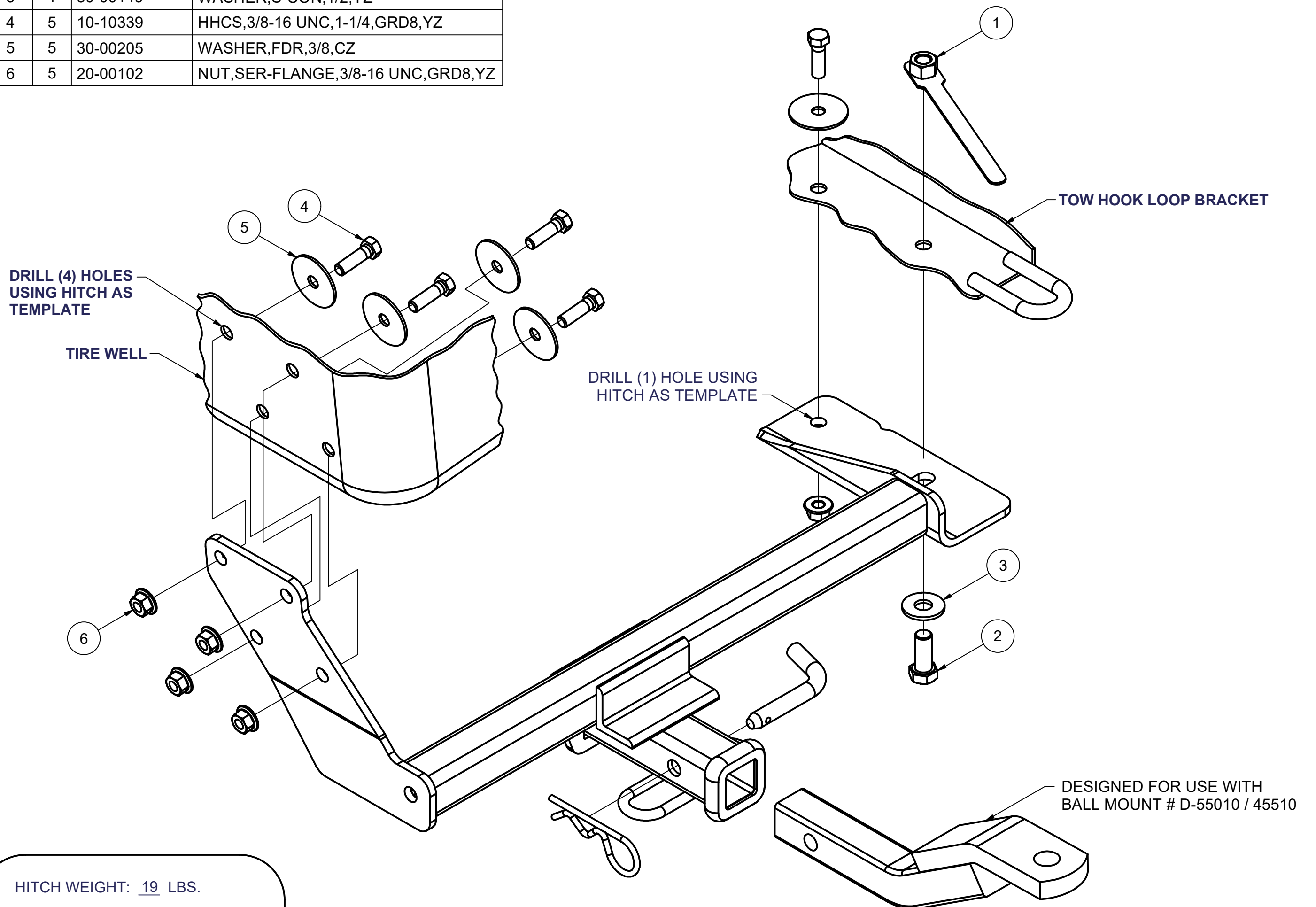


11083 / 247422**01-05 VOLKSWAGEN JETTA WAGON**

11/16/2020

GROSS LOAD CAPACITY WHEN USED AS A WEIGHT CARRYING HITCH: 2,000 LBS. TRAILER WEIGHT & 200 LBS. TONGUE WEIGHT.
*****DO NOT EXCEED VEHICLE MANUFACTURER'S RECOMMENDED TOWING CAPACITY.*****

Parts List			
ITEM	QTY	PART NUMBER	DESCRIPTION
1	1	20-00174	NUT,HANDLE,1/2-13 UNC,GRD8,CZ
2	1	10-10470	HHCS,1/2-13 UNC,1-1/4,GRD8,YZ
3	1	30-00149	WASHER,S-CON,1/2,YZ
4	5	10-10339	HHCS,3/8-16 UNC,1-1/4,GRD8,YZ
5	5	30-00205	WASHER,FDR,3/8,CZ
6	5	20-00102	NUT,SER-FLANGE,3/8-16 UNC,GRD8,YZ

HITCH WEIGHT: 19 LBS.INSTALL TIME: 30 MINUTES

INSTALL NOTES:

DRILLING REQUIRED**INSTALLATION STEPS**

1. Temporarily remove plastic tray and contents under rear floor before drilling. Lower exhaust to ease installation. Lift hitch into position, aligning the slot in the passenger side plate with the existing hole in the tow hook loop bracket. Loosely install fasteners.
2. With hitch in position level and square to vehicle drill four holes on driver side using hitch as a template. Install fasteners as shown.
3. Use hitch as a template and drill the remaining mounting hole on passenger side. Install fasteners as shown.
4. Torque 1/2" hardware to 110 lb.-ft. and 3/8" hardware to 45 lb.-ft.

PERIODICALLY CHECK THIS RECEIVER HITCH TO ENSURE THAT ALL FASTENERS ARE TIGHT AND THAT ALL STRUCTURAL COMPONENTS ARE SOUND.

Curt Manufacturing Inc., warrants this product to be free of defects in material and/or workmanship at the time of retail purchase by the original purchaser. If the product is found to be defective, Curt Manufacturing Inc., may repair or replace the product, at their option, when the product is returned, prepaid, with proof of purchase. Alteration to, misuse of, or improper installation of this product voids the warranty. Curt Manufacturing Inc.'s liability is limited to repair or replacement of products found to be defective, and specifically excludes liability for incidental or consequential loss or damage.